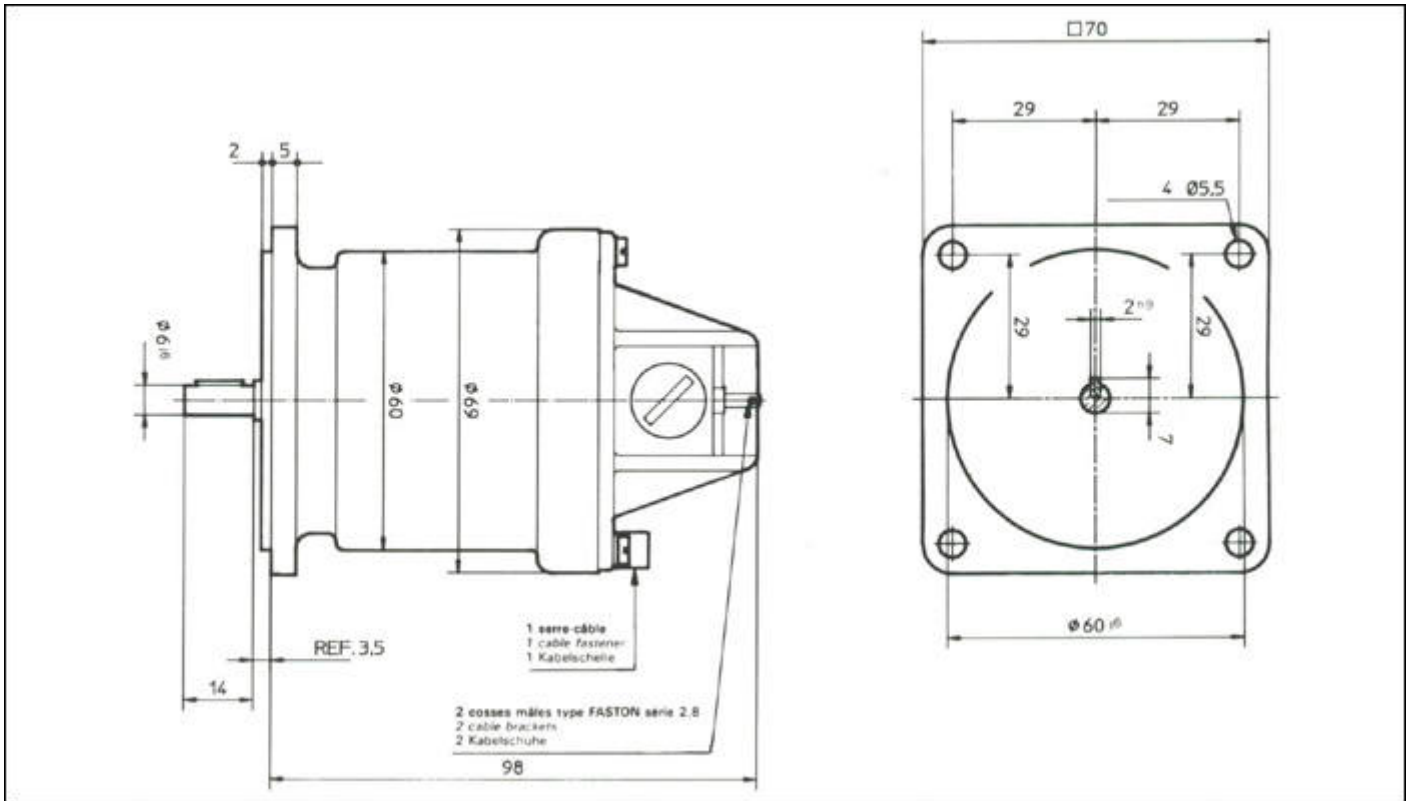


## Radio Energie RE.0315 Tachogenerator



### Electrical Options

				Min					Max
E.M.F at 1000rpm	En	V	1 coll.	7	10	20	30	40	50
Voltage gradient	Cv	V/tr/min	1 coll.	0,007	0,010	0,020	0,030	0,040	0,050
		V/rpm							
Armature resistance	Ra	V/U/min	1 coll.	10	10	40	95	165	244
		impedance							
Max. thermal load	Ith	A	1 coll.	0,4	0,3	0,15	0,1	0,07	0,05
Max. allowed speed	na	tr/min rpm U/min	1 coll.	15000	15000	15000	10000	7500	6000

For more information, please contact Electro Dynamics:

Ph: (+64-9) 4147217 (24 hrs / 7 days);

Fax: (+64-9) 4147218

Email: [admin@electrodynamics.co.nz](mailto:admin@electrodynamics.co.nz)

Website: [www.electrodynamics.co.nz](http://www.electrodynamics.co.nz)