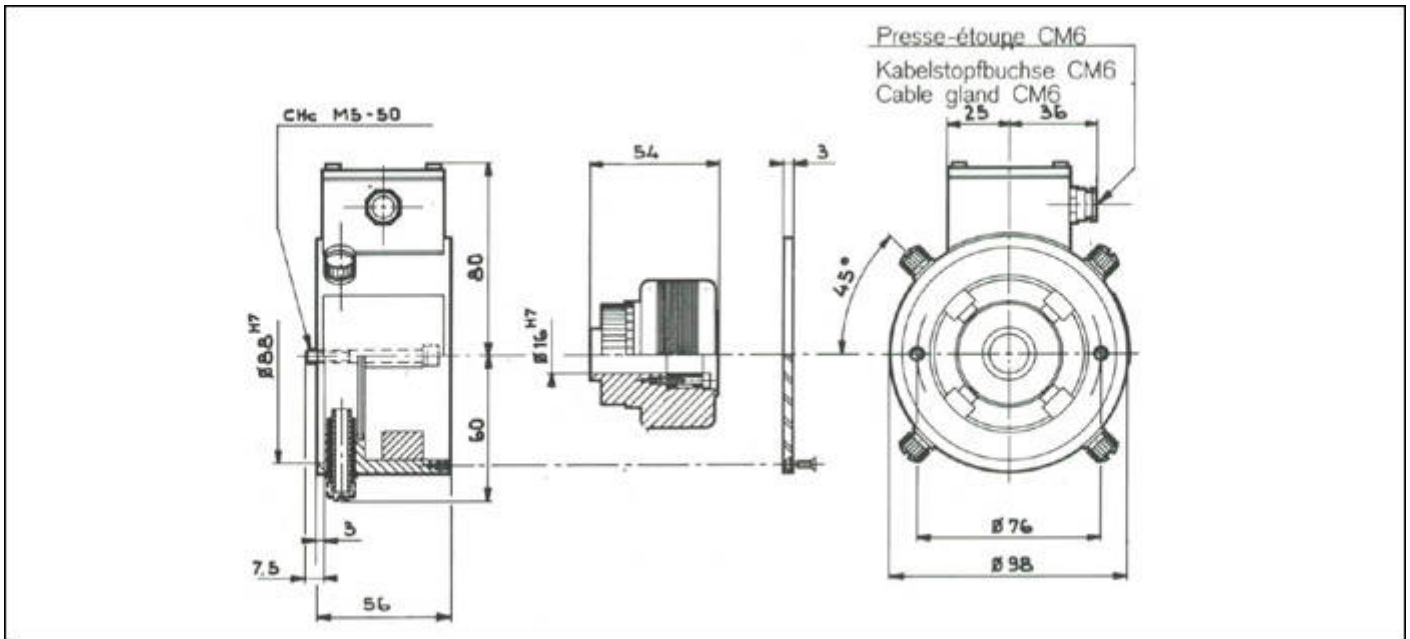


## Radio Energie RDC14 Tachogenerator



### Electrical Options

			Min.					Max.
E.M.F at 1000rpm	En	V	10	20	30	40	50	60
Voltage gradient	Cv	V/tr/min V/rpm V/U/min	0,01	0,02	0,03	0,04	0,05	0,06
Armature resistance	Ra	impedance	8	33	73	130	200	290
Max. thermal load	Ith	A	400	200	150	100	80	60
Max. allowed speed	na	tr/min rpm U/min	7500	7500	7500	7500	6000	5000

For more information, please contact Electro Dynamics:

Ph: (+64-9) 4147217 (24 hrs / 7 days);

Fax: (+64-9) 4147218

Email: [admin@electrodynamics.co.nz](mailto:admin@electrodynamics.co.nz)

Website: [www.electrodynamics.co.nz](http://www.electrodynamics.co.nz)